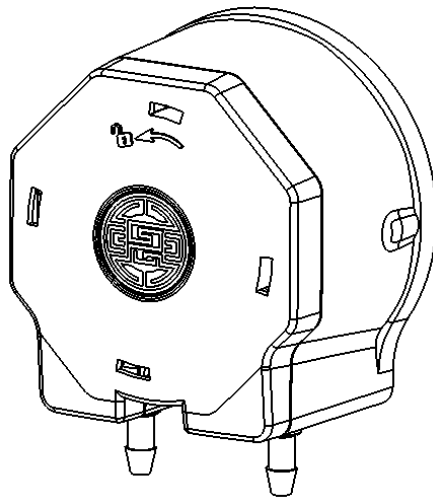




JY15A(B)peristaltic pump head instruction manual



Baoding Signal Fluid Technology Co.,Ltd

Address: Torch Industrial Park, No. 99 Yunshan Road, Jingxiu District, Baoding

Tel:400-0312-802

TechnicalSupport:0312-8920907

Website: www.snfluid.cn

Please read the instruction manual carefully before operation. Notes on using the pump head of the JY15 series peristaltic pump:

The hose may cause cracks due to wear and tear, causing liquid to leak out of the hose, which may cause harm to the human body and equipment. Therefore, check frequently and replace the hose in time. • The pump head material has average corrosion resistance and some materials will erode it. Please pay special attention when using it.

Warranty Terms

This product has one year warranty. If it is improperly used by the user or is damaged by human being during the warranty period, the company will not be responsible for the warranty.

Contact the seller or manufacturer before returning to the factory for repair.

The original packaging should be used or other reliable packaging methods when returning to the factory for maintenance and transportation. • When returning to the factory for maintenance, the fault phenomenon and contact information should be noted in detail.

Product Introduction

This peristaltic pump has a simple structure and is easy to maintain.

The polygonal upper cover is more ergonomic and the rotary opening is more convenient. The dual bearing design is more stable and has higher accuracy. Pump body anti-scratch pipe design to improve hose life. The pump cover has a locking mechanism, which is safe and reliable, and can be equipped with a variety of hoses, which are suitable for OEM use.

The body is made of ABS+PC material, the shell is made of transparent PC material, the roller is made of PET material, and the roller frame is made of POM material.

JY15 series pump heads include two forms: JY15A and JY15B. The number of rollers of the JY15A pump head is 2 rollers, the maximum speed is 300rpm, and the flow rate is even greater. JY15B pump head roller number is 4 rollers, the

maximum speed is 300rpm, and the pulse is smaller

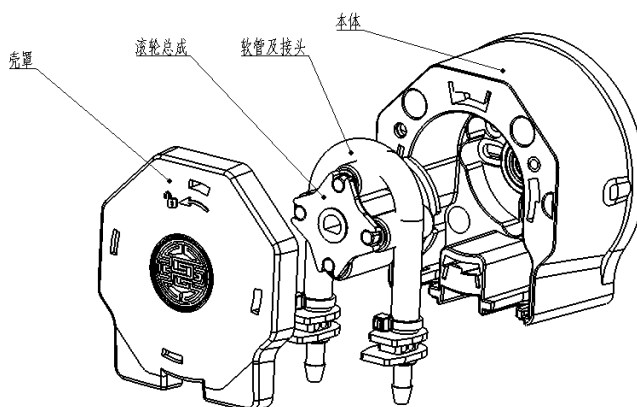
Technical parameters

Model No	suitable hose	Max flow capacity (ml/min)	Rotation range (rpm)	Hose fixing form	roller quantity/material	weight (kg)
JY15A	14#、19#、16# 25#、17#	430	0-300	Pipe joint structure	PET/2	0.053
JY15B	14#、16#、19#、 25#、17#	250	0-300		PET/4	0.059

Reference data of flow rate

Test conditions: room temperature and normal pressure, medium water, silicone tube, outlet pressure is 0

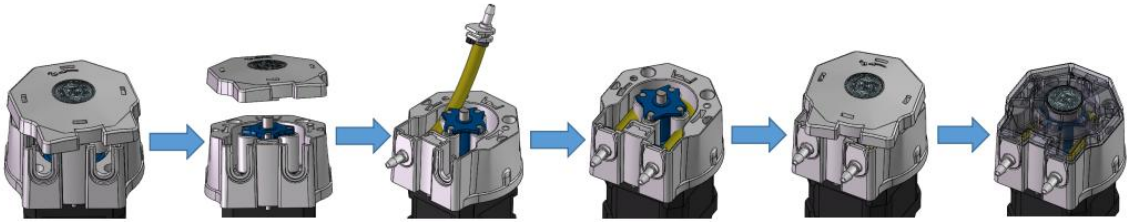
Peristaltic pump head composition



Hose installation diagram:

- 1) Rotate the shell cover counterclockwise
- 2) take out the shell cover
- 3) apply grease evenly on the surface of the hose

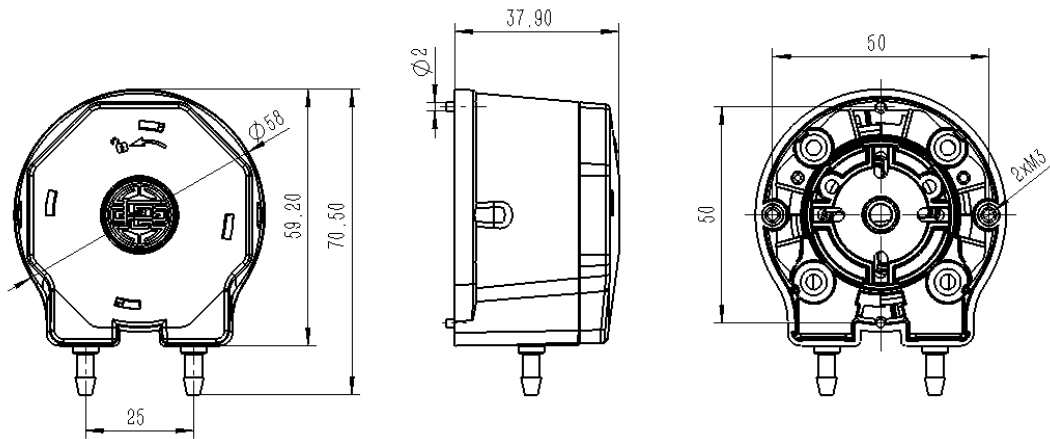
- 4) install one end pipe joint
- 5) press the hose around the roller
- 6) install the other end pipe joint
- 7) continue to press the hose through the gap of the roller to let the hose be in the middle of the roller
- 8) snap into the shell cover - reverse the locking shell cover



Pump head instructions •

JY15 series pump heads are generally used directly assembled with the motor

Dimension drawing (unit: mm)



Product Maintenance •

When the pump is not working, try to remove the hose to avoid long-term squeezing the hose to cause plastic deformation, which will affect the service life of the hose.

- The rollers of the pump head should be kept clean and dry, otherwise it will speed up the wear of the hose, shorten the service life of the hose and cause premature damage to the roller.

- The pump head material has good corrosion resistance, but some materials still cause erosion to it, so pay special attention to it when using it.